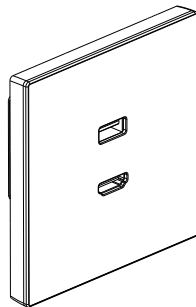


Galion™ USB&HDMI

Cat. No(s): 2 824 48/48m



2 824 48/48m

CONTENTS

- 1. Use.....1
- 2. Range.....1
- 3. Preparation.....1
- 4. Overall dimensions.....1
- 5. Connection.....2
- 6. Technical characteristics.....2
- 7. Cleaning.....2
- 8. Conformity - Approvals.....2

1. USE

Data transmission.
(Supplied with M3.5 screws for BS boxes. Flush mounting or Surface mounting.)

2. RANGE

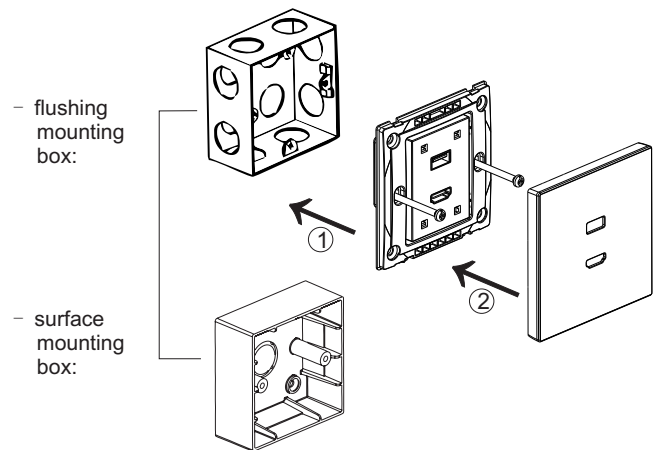
	Designation	Cat. No.	Weight (g)	Characteristics
	USB and HDMI Socket	2 824 48/48m	79	

Colours

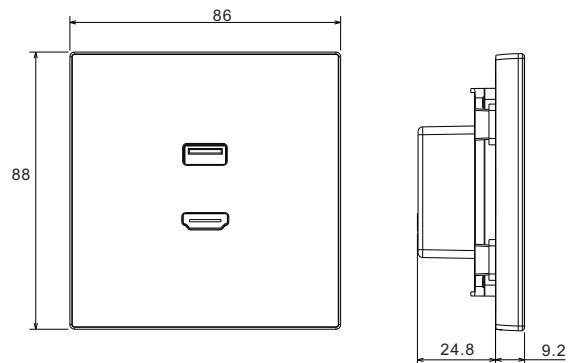
- front: white/rose golden/champagne/dark silver
- rear: white/rose golden/champagne/dark silver
- X XXX XX white
- X XXX XX-C matt black
- X XXX XX-C1 rose golden
- X XXX XX-C2 champagne
- X XXX XX-C3 dark silver

3. PREPARATION

3.1 General preparation



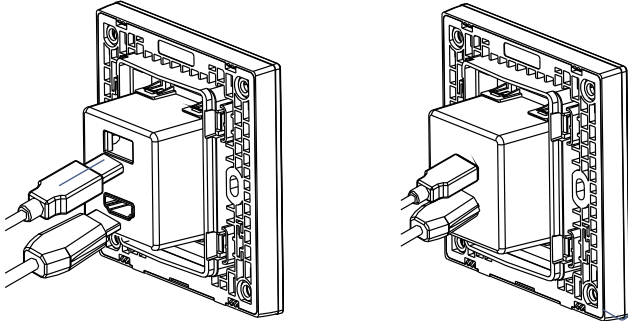
4. OVERALL DIMENSIONS



Profile Size: 86 × 88 mm
Distance of installation hole: 60.3 mm
Minimum depth of the box > 35 mm

5. CONNECTION

5.1 Circuit diagrams



6. TECHNICAL CHARACTERISTICS

6.1 Material characteristics

Plate: Polycarbonate

Frame: Polycarbonate

Base: Polycarbonate

Self-extinguishing:

+ 850° C / 30 s for insulating parts holding live parts in place

+ 650° C / 30 s for other parts made of insulating materials

6.3 Climatic characteristics

Storage temperatures: -10°C to +70°C

Operating temperatures: -5°C to +45°C

6.4 Mechanical characteristics

Impact test: IK04

Protection against liquids: IP20

7. CLEANING

Surface cleaning with a soft, slightly damp cloth.

Do not use: acetone, tar remover, trichloroethylene

8. CONFORMITY - APPROVALS

Conform to BS EN 60669-1; MS/IEC 60669-1